

## Technical Specification



Frequency Range(GHz)	18.0 - 40.0
Gain(dBi)	20 Typ.
Polarization	Linear
3dB Beamwidth(deg)	E Plane: 23 - 10
	H Plane: 26 - 12
Cross Pol. Isolation(dB)	35 Typ.
VSWR	1.5:1 Typ.
	2.0:1 Max.
Connector	2.92mm-Female
	or 2.4mm-Female
Power Handling(W CW)	2.92mm-F: 20 Max.
	2.4mm-F: 10 Max.
Material	Cu
Size(mm)	55 x 55 x 113
Net Weight(Kg)	0.25 Around

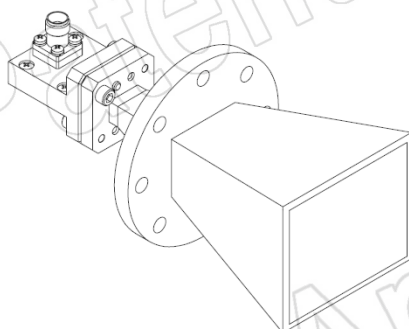
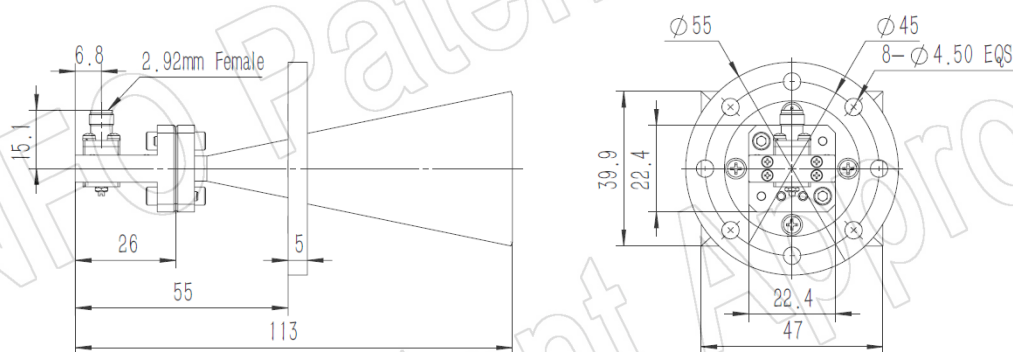
PATENT ID (China)

ZL201930458725.9

## Outline Drawing (Size: mm)

2.92mm-Female Output (P/N: LB-180400H-KF)

For 2.4mm-Female output outline drawing, please contact A-INFO.



AINFO Inc.

Page 1 of 14

China(Beijing):  
China(Chengdu):  
USA :

Tel: (+86) 10-6266-7326,  
Tel: (+86) 28-8519-2786,  
Tel: (+1) 949-639-9688,

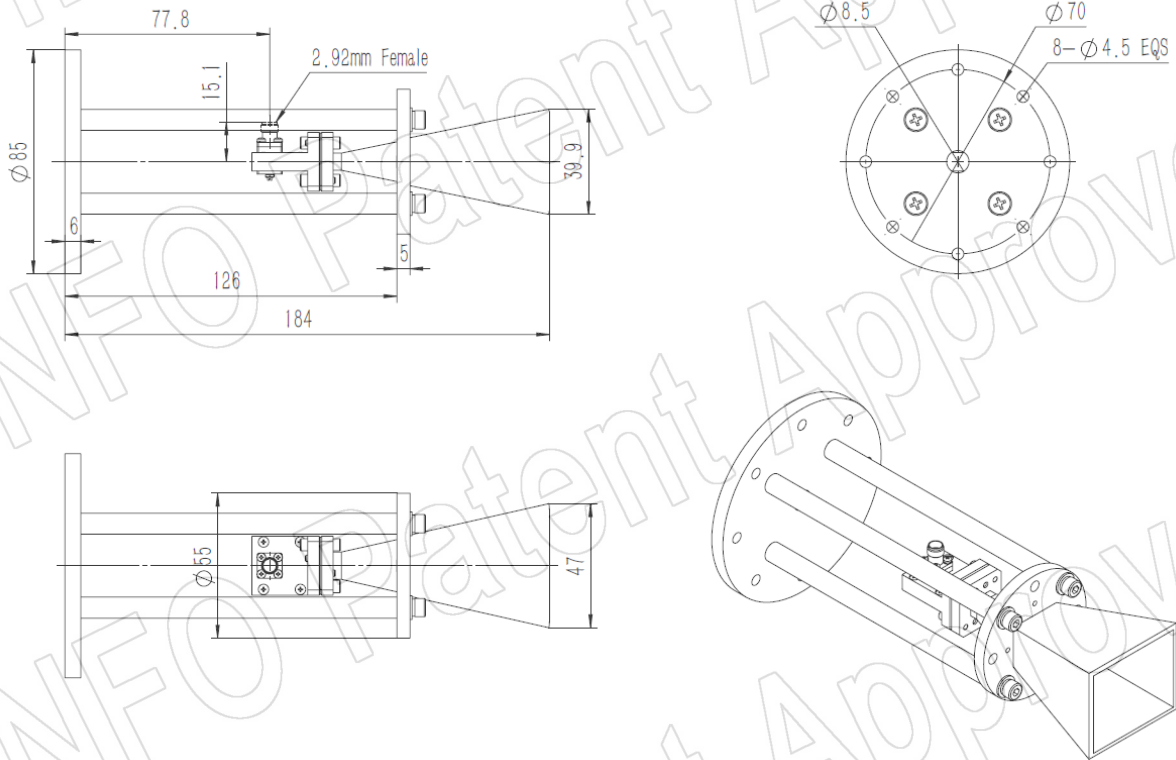
(+86) 10-6266-7327  
(+86) 28-8519-3044  
(+1) 949-639-9608

Fax: (+86) 10-6266-7379  
Fax: (+86) 28-8519-3068  
Fax: (+1) 949-639-9670

Website: [www.ainfoinc.com](http://www.ainfoinc.com)  
Email: [sales@ainfoinc.com](mailto:sales@ainfoinc.com)

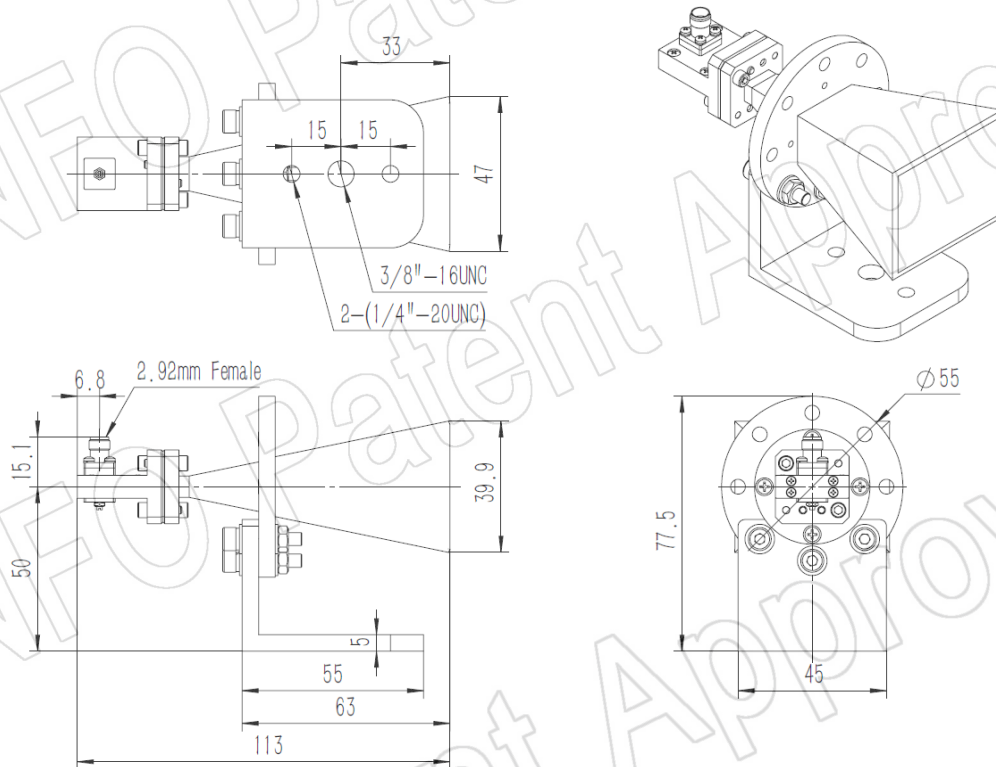
## 2.92mm-Female Output with Round Mounting Bracket (Option, P/N: LB-19-25-MB2)

For 2.4mm-Female output outline drawing, please contact A-INFO.



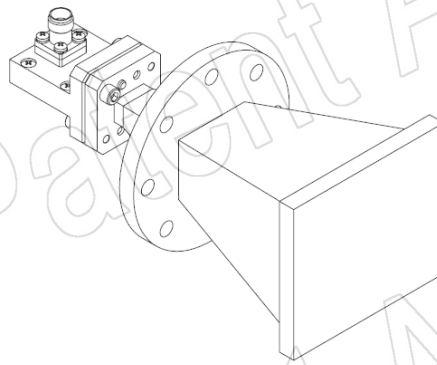
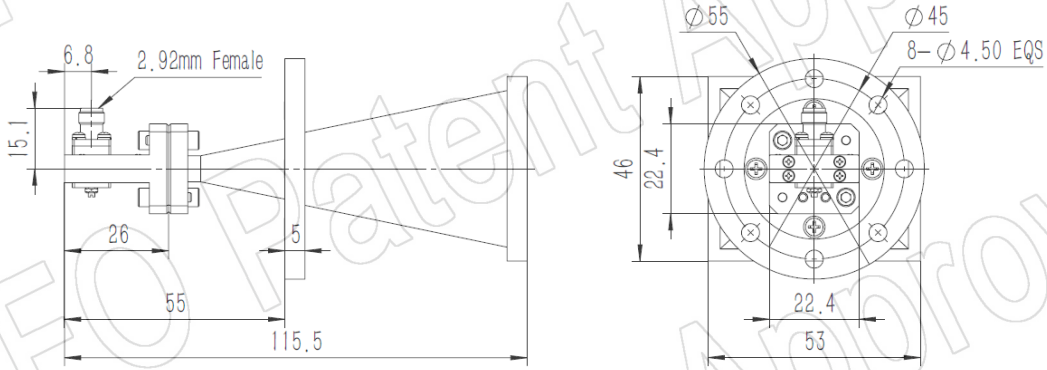
## 2.92mm-Female Output with L Type Mounting Bracket (Option, P/N:LB-19-25-L2)

For 2.4mm-Female output outline drawing, please contact A-INFO.



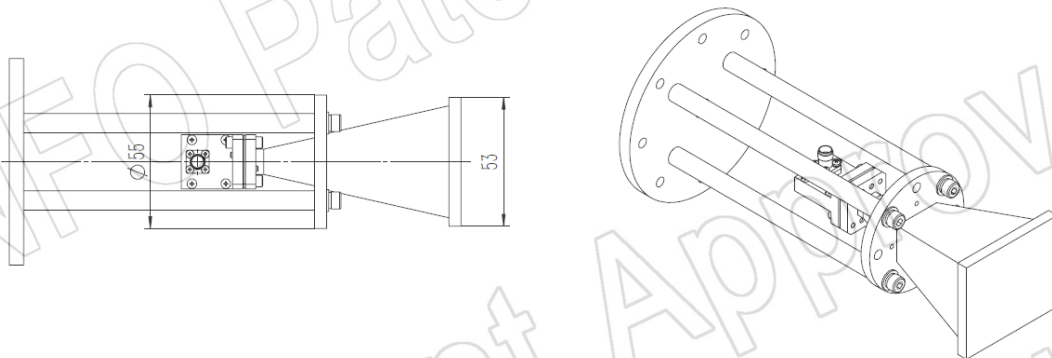
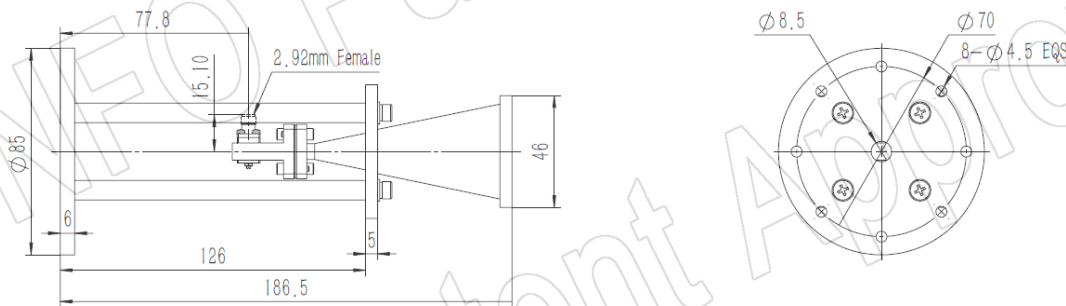
**2.92mm-Female Output with Radome (Option, P/N: LB-180400H-KFSPO, Outdoor Application)**

For 2.4mm-Female output outline drawing, please contact A-INFO.



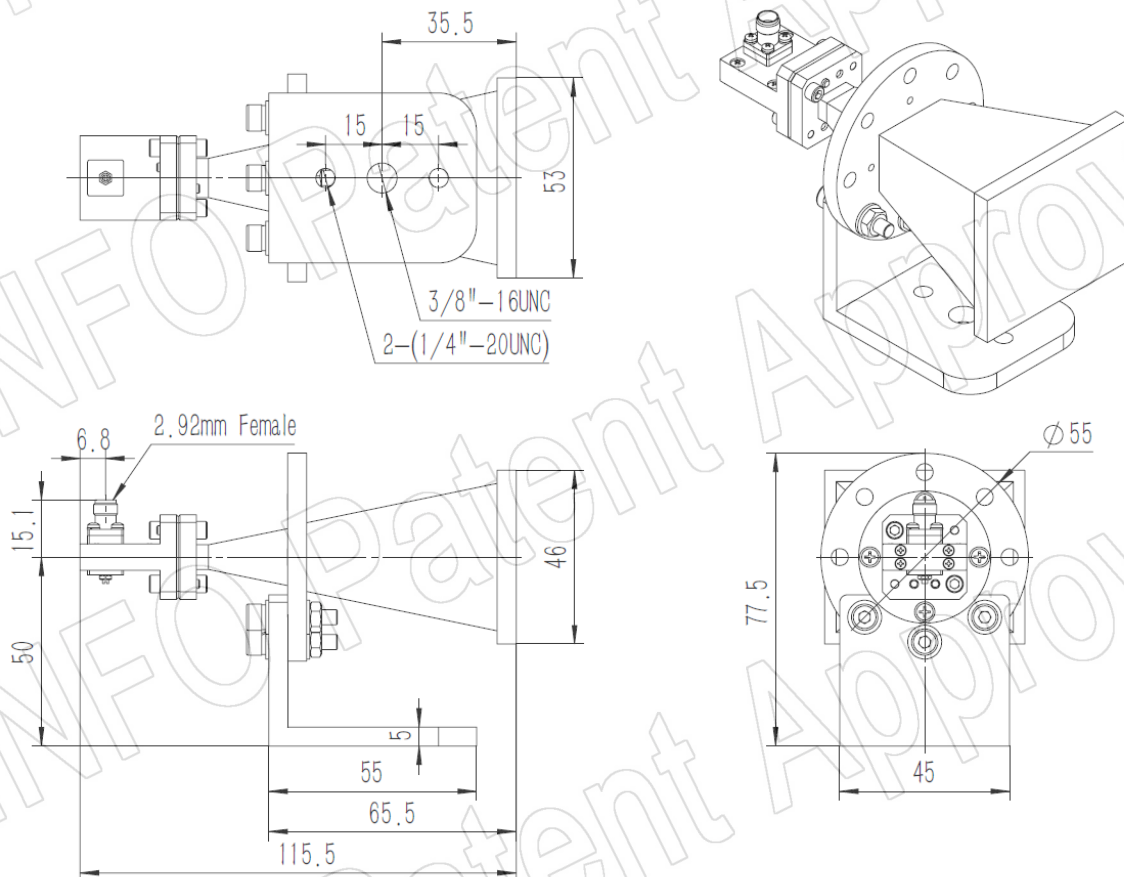
**2.92mm-Female Output with Round Mounting Bracket & Radome (Option, P/N: LB-19-25-MB2 & LB-180400H-KFSPO, Outdoor Application)**

For 2.4mm-Female output outline drawing, please contact A-INFO.



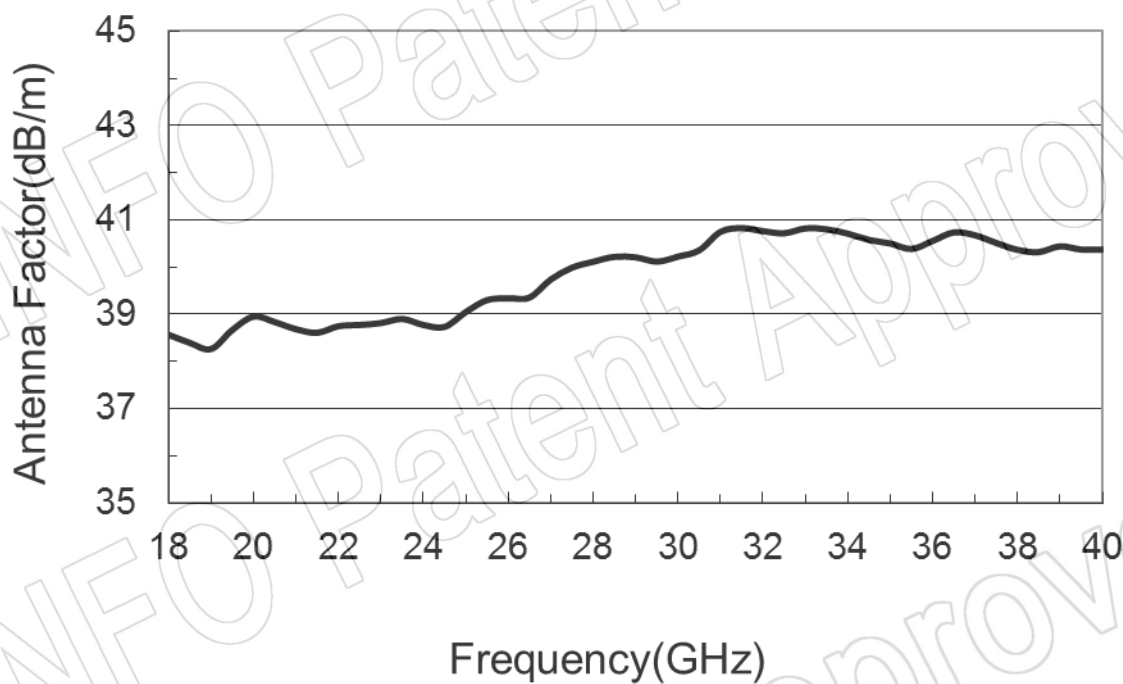
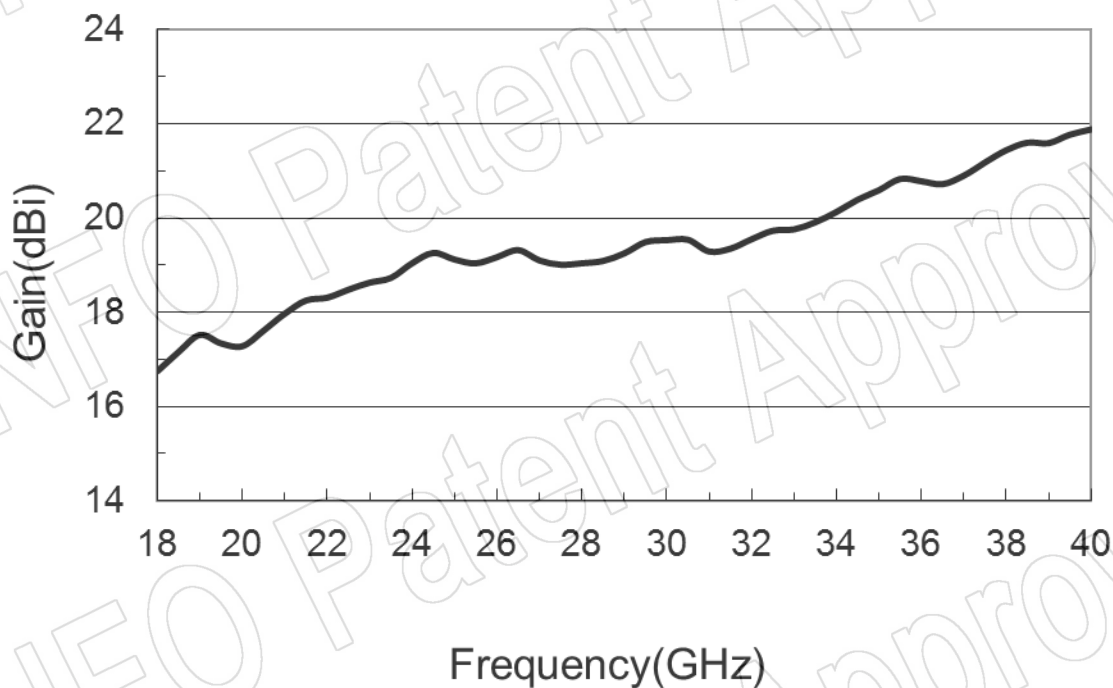
**2.92mm-Female Output with L Type Mounting Bracket & Radome (Option, P/N: LB-19-25-L2 & LB-180400H-KFSPO, Outdoor Application)**

For 2.4mm-Female output outline drawing, please contact A-INFO.

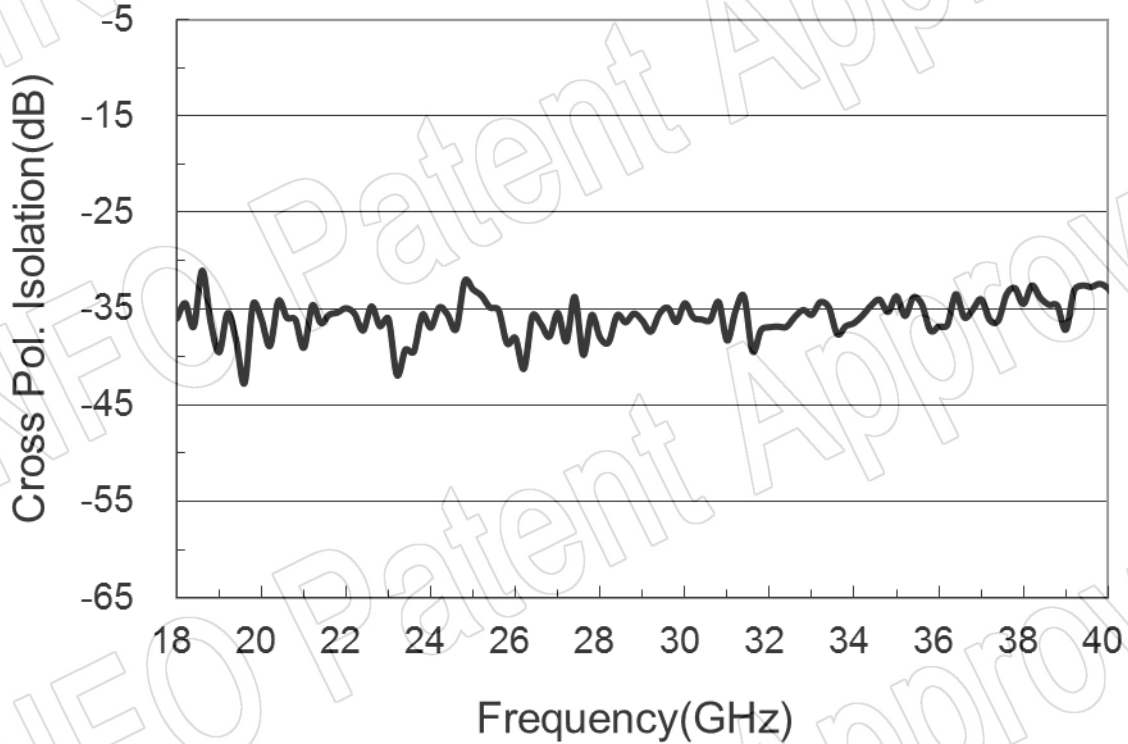


## Test Results

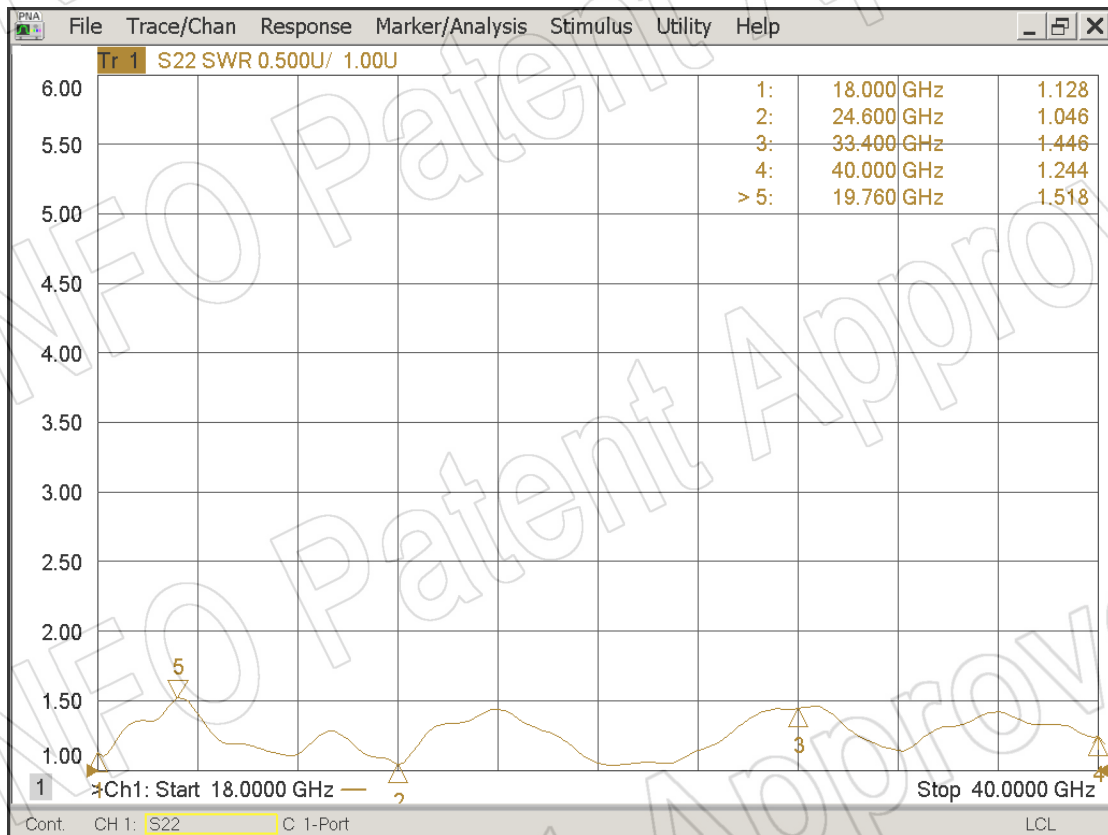
### 1. Gain & Antenna Factor



## 2. Cross Polarization Isolation



## 3. VSWR



## 4. Pattern

